

# DRIVE

## Comfort systems

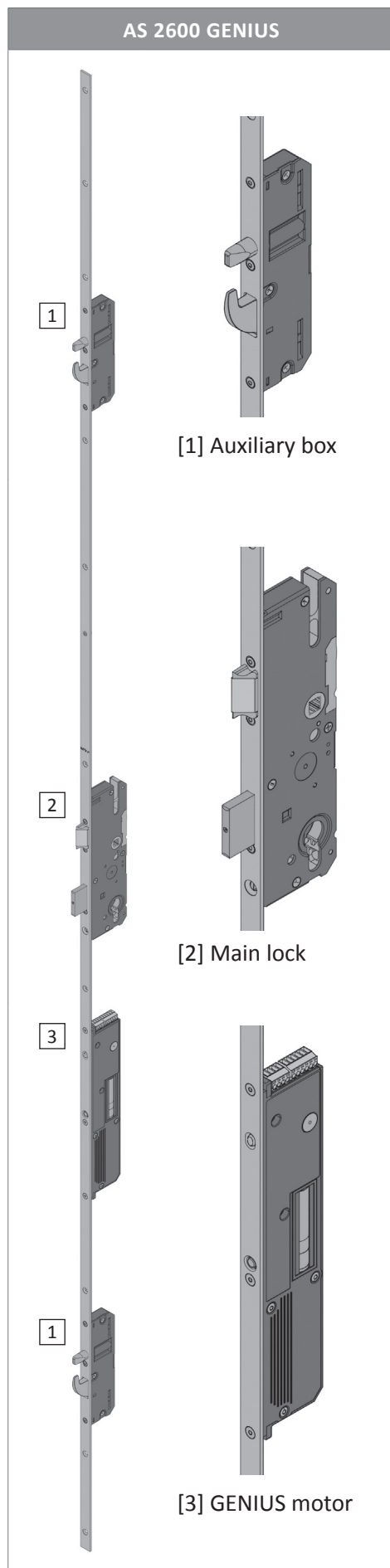
Motor function for entrance doors and access control systems

Window systems

Door systems

Comfort systems





### GENIUS: electromechanical locking and unlocking.

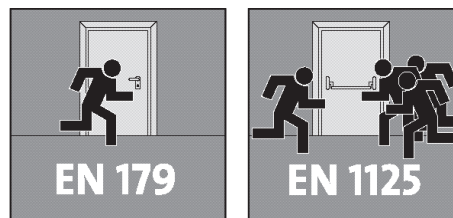
GENIUS has an integrated electronic control system and an electronically controlled gear motor. The powerful motor ensures a perfect tight sealing of the door as well as fast and quiet door locking and unlocking. All GENIUS variants can be combined with numerous external access control systems.

### GENIUS is available in four versions:

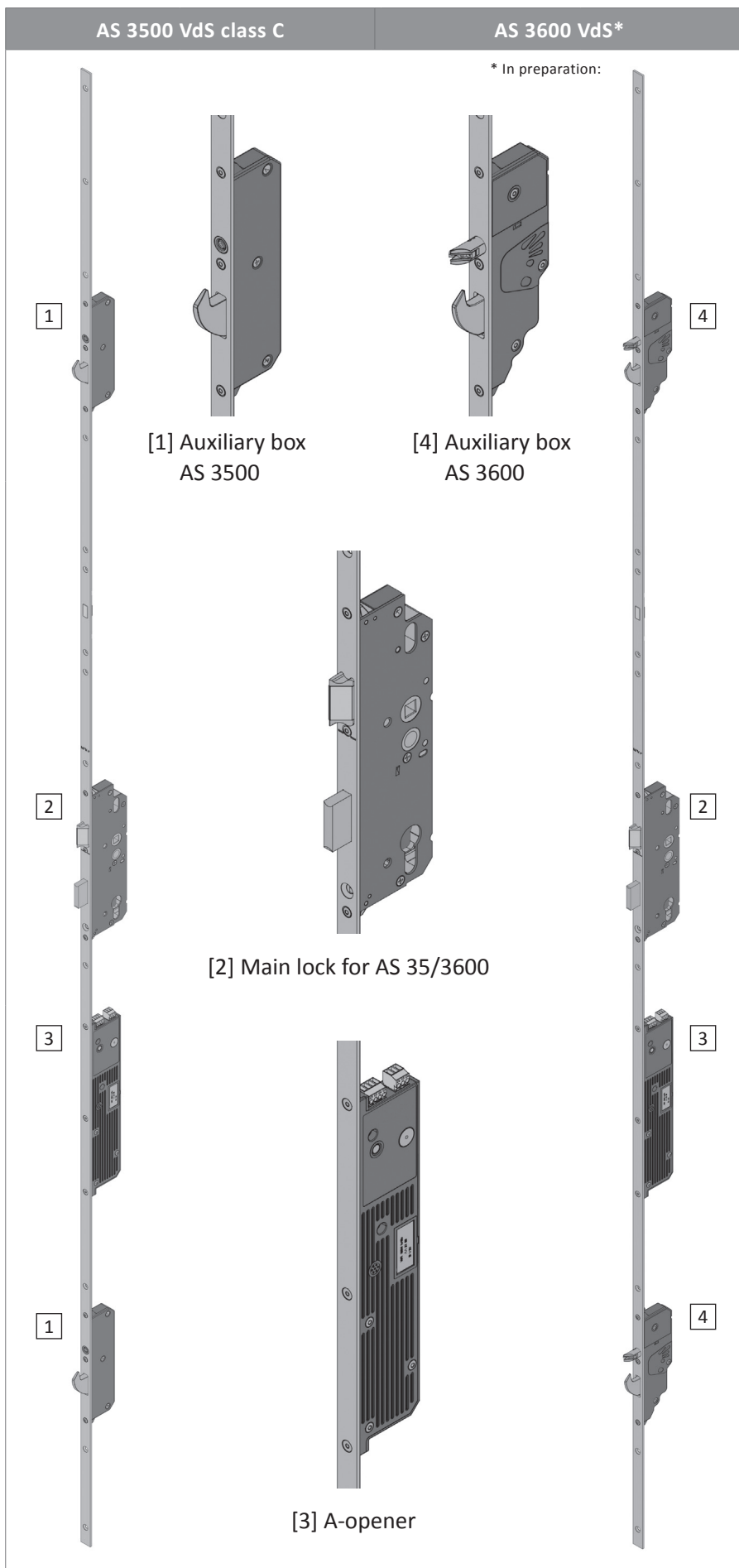
- GENIUS EA: motorised unlocking via access control system and from inside via a button.
- GENIUS EB: motorised unlocking via access control system and from inside via a button. It can be combined with an external clock timer or other external systems such as a motorised door drive or an alarm system.
- GENIUS CA: functional scope like GENIUS EA, but with additional comfort function. Mechanical unlocking via the lever handle on the inside of the door is possible all the time.
- GENIUS CB: functional scope like GENIUS EB, but with additional comfort function. Mechanical unlocking via the lever handle on the inside of the door is possible all the time.

For all variants: manual use via the profile cylinder is also possible.

### GENIUS PANIC multi-point lock:



you will find electromechanical multi-point locks for use in escape and rescue route doors in accordance with EN 179 and EN 1125 in the separate product catalogue "Lifesaver".



**A-opener:**

- mechanical automatic locking mechanism
- electromechanical unlocking

The A-opener is equipped with integrated control electronics and a motor which ensure quick unlocking.

The A-opener can also be combined with numerous external access control systems.

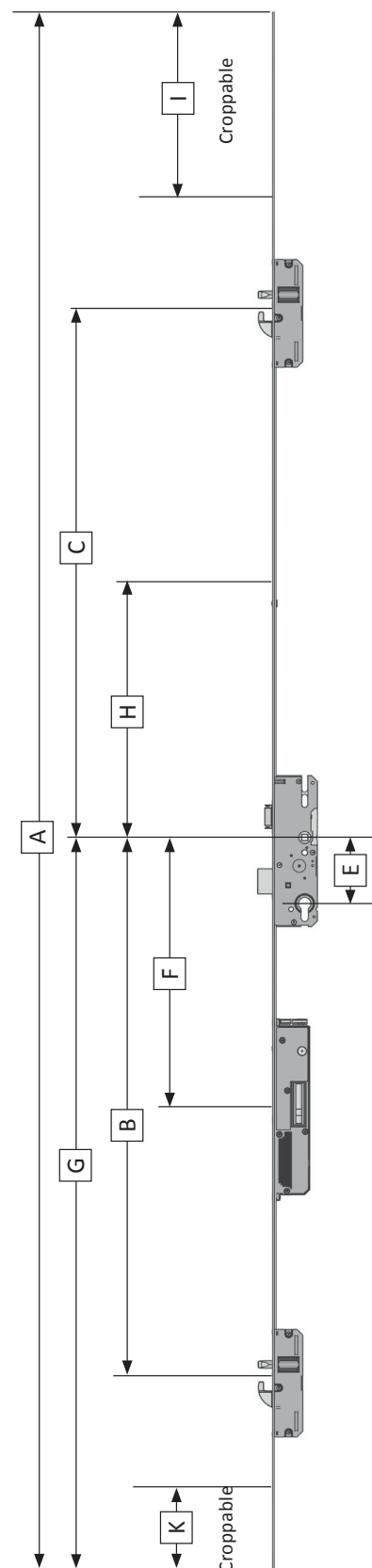
The A-opener can be retrofitted on the KfV multi-point locks AS 3500 and AS 3600.

FUNCTIONS	GENIUS 2.X EA	GENIUS 2.X CA	GENIUS 2.X EB	GENIUS 2.X CB	A-OPENER 2.X
Installation width from 16 mm faceplate	●	●	●	●	●
Installation depth from 35 mm backset	●	●	●	●	●
Can be combined with standard hardware	●	●	●	●	●
Openings to fix rosettes from 45 mm backset	●		●		
Mechanical automatic locking mechanism (in connection with multi-point lock AS 3500 or AS 3600)					●
Electromechanical locking part	●	●	●	●	
Manual locking and release via cylinder even during a power failure	●	●	●	●	●
Gear in the main lock for powerful manual deadbolt and latch operation	●	●	●	●	
Permanent locking monitoring system (incomplete deadbolt throw is indicated acoustically)	●	●	●	●	
Manual mode of operation changeover via LED menu buttons: <b>day function:</b> the electromechanical door lock is deactivated but, due to the latch, the door still remains locked <b>Night function:</b> the electromechanical door lock is activated every time the door is closed into the frame	●	●	●	●	
Electromechanical opening via potential-free contact (push-button) of the external access control systems (e.g. transponder, wireless, fingerprint, Bluetooth, etc.)	●	●	●	●	●
Automatic mode of operation changeover via external clock timer			●	●	
Combination with external systems (e. g. motorised door drive or alarm system)			○	○	
Comfort function via the lever handle on the interior side of the door (not available for the A-opener when it is locked by the cylinder)		●		●	●
SI BUS for connection of SIEGENIA access control systems (from version GENIUS 2.2 and A-opener 2.2)	●	●	●	●	●

- These functions are available ex-works.
- Additional accessories are required for these operating modes.

Select multi-point locks

Choose your required multi-point lock from the options on the following three pages and then assemble your GENIUS or A-opener set in four steps or select one the eight preconfigured Plug and Play sets.



For all GENIUS multi-point locks (except GEP GENIUS PANIC and multi-point lock with A-opener), FZG-type free running key or knob cylinders are required. A locking rail or a striker plate with a magnetic bush is required for the frame side.

Standard dimension variant for timber and PVC doors \*

Size variants	A	B	C	F	G	I	K	Range of application	Sash rebate height
B001	2170	760	730	380	1020	290	130	Standard doors, handle height 1020	1881 - 2170

Standard dimension variant for metal doors \*

Size variants	A	B	C	F	G	I	K	Range of application	Sash rebate height
K001	1817	760	730	380	892	—	—	Faceplate cropped to size	1945
K002	1754	760	730	380	892	—	—	Faceplate cropped to size	1882 - 2170

Version for apartment entrance doors made from timber

Size variants	A	B	C	F	G	I	K	Range of application	Sash rebate height
K007	1847	822.5	730	380	970	—	—	Rounded faceplate	1882 - 2170

Other size variants for timber and PVC doors

Size variants	A	B	C	F	G	I	K	Range of application	Sash rebate height
B003	2400	760	980	380	1020	270	130	High doors, handle height 1020	2171 - 2400
B298	2170	760	605	380	1020	415	130	Low doors, handle height 1020	1755 - 1880
B002	2170	760	730	380	1050	260	160	Standard doors, handle height 1050	1882 - 2170
B166	1855	760	730	380	952	—	—	For apartment entrance doors, faceplate rounded	1882 - 2170

\* The material numbers of the standard versions are listed on pages 7 - 8.

Rear backset

	PVC doors	Metal doors	Timber doors
GENIUS	17.5	17.5	23.5
AS 3500 / AS 3600	17.5	17.5	17.5

All dimensions are in mm

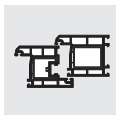
Figure shows GEN AS 2600 EA / EB / CA / CB  
E\* = PZ dimension

Select multi-point locks



**GENIUS PANIC multi-point locks**

You will find electromechanical multi-point locks for use in escape and rescue route doors in accordance with EN 179 and EN 1125 in the separate product catalogue "Lifesaver".



**GENIUS multi-point locks for PVC doors**

GEN AS 2600, 10 mm spindle square, 92 mm PZ dimension, size variant B001

Backset	Flat face plate 16 mm					Flat face plate 20 mm			Flat face plate 24 mm	U-profile faceplate 6 x 24 x 6 mm	
	35 mm	40 mm	45 mm	50 mm	55 mm	45 mm	50 mm	55 mm	45 mm	45 mm	55 mm
Version EA, 2 mm offset soft lock latch			3800584					3800136	3800554		3800563
Version EA, bevelled soft lock latch			3800562			3800233	3800234	3800139			
Version CA, 2 mm offset soft lock latch		3800561	3800070	3800477		3800182		3800132	3800460		
Version CA, bevelled soft lock latch	3800494					3800056		3800134	3800524	3800022	
Version EB, 2 mm offset soft lock latch											
Version EB, bevelled soft lock latch						3800225		3800138			
Version CB, 2 mm offset soft lock latch	3800536		3800597		3800510	3800193		3800133	3800540		3800586
Version CB, bevelled soft lock latch	3800528		3800011	3800570	3800591	3800057		3800140		3800583	



**GENIUS multi-point locks for timber doors**

GEN AS 2600, 10 mm spindle square, 92 mm PZ dimension, size variant B001

Backset	Flat face plate 20 mm		U-profile faceplate 10 x 30 x 10 mm
	55 mm	65 mm	65 mm
Version EA, 2 mm offset soft lock latch	3800136	3800184	
Version EA, bevelled soft lock latch	3800139	3800111	
Version CA, 2 mm offset soft lock latch	3800132	3800002	
Version CA, bevelled soft lock latch	3800134	3800028	3800043
Version EB, 2 mm offset soft lock latch		3800053	
Version EB, bevelled soft lock latch	3800138	3800113	3800553
Version CB, 2 mm offset soft lock latch	3800133	3800052	
Version CB, bevelled soft lock latch	3800140	3800013	3800044



**GENIUS multi-point locks for metal doors**

GEN AS 2600, 8 mm spindle square, 92 mm PZ dimension

Size variants B001  
Flat face plate 24 mm

Size variant K001  
U-profile faceplate 6 x 24 x 6 mm

Backset	35 mm	45 mm
Version EA, bevelled soft lock latch	3800450	
Version CA, bevelled soft lock latch	3800446	3800105
Version EB, bevelled soft lock latch	3800451	
Version CB, bevelled soft lock latch	3800431	3800106

35 mm	45 mm
3800084	3800009
3800517	3800752



**Automatic multi-point locking systems for metal doors**

AS 3500, 8 mm spindle square, 92 mm PZ dimension with SKG stamp, matt brushed stainless steel faceplate

Size variants B001  
Flat face plate 24 mm

Size variant K002  
U-profile faceplate 6 x 24 x 6 mm

Backset	35 mm	45 mm
Version bevelled soft lock latch	3482607	3482527

35 mm	45 mm
3482399	3482403



**Automatic multi-point locking systems for metal doors**

AS 3600, 8 mm spindle square, 92 mm PZ dimension with SKG stamp bright zinc-plated faceplate

Size variant K001  
Flat face plate 24 mm

Size variant K001  
U-profile faceplate 6 x 24 x 6 mm

Backset	35 mm	45 mm
Version bevelled soft lock latch	3507179	3507183

35 mm	45 mm
3507197	3507201



**Automatic multi-point locking systems for timber doors**

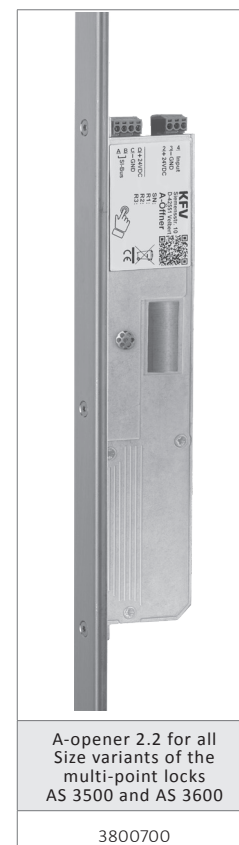
AS 3600, 10 mm spindle square, 92 mm PZ dimension, size variant B001, with SKG stamp, bright zinc-plated faceplate

Flat face plate 20 mm

U-profile faceplate  
10 x 30 x 10 mm

Backset	55 mm	65 mm
Version 2 mm offset soft lock latch	3505371	3505377
Version bevelled soft lock latch	3505046	3505047

65 mm
3505063



A-opener 2.2 for all Size variants of the multi-point locks AS 3500 and AS 3600

3800700



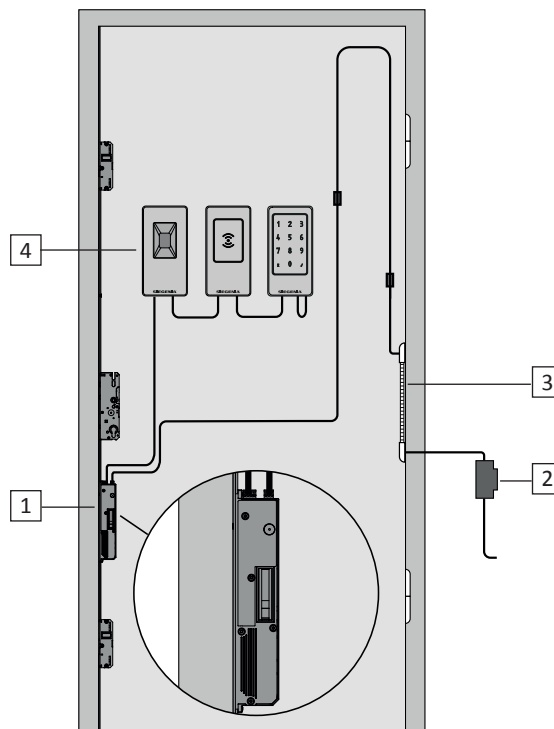
Configuration in four steps

**Step 1:** magnet on the frame side for the reed contact (only required for GENIUS).

**Step 2:** power supply

**Step 3:** cable transfer

**Step 4:** access control system



Step 1: select magnet



A magnet is not required if an A-opener is used.

Round magnet bush



Magnet bush for drilling into a locking rail or into a timber profile.

3381675

Oval magnet bush



Magnet bush for installation in a round bolt strike plate 23xx, you can find matching frame parts in the multi-point locks catalogue.

3384792

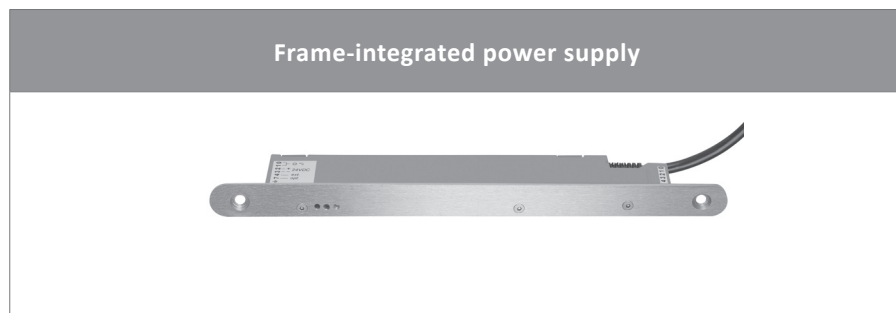
Self-adhesive magnet



Magnet to be adhered into place

3405940

**Step 2: select power supply**



The power supply is designed to be installed in the door frame (milling required), suitable for GENIUS or A-opener and KfV access control systems.  
Shield length 320 mm brushed matt stainless steel.

Casing dimensions (H x W x D)  
245 mm x 20 mm x 35 mm

Input voltage: 115 up to 230 V AC; 50 / 60 Hz

Output voltage: 24 V DC / max. 0.9 A

Connection of a 12 V AC/DC switching signal (from the intercom system or E-opener) can be used as an opening signal for GENIUS.

Flat face plate 20 mm, rounded **3498971**  
Flat face plate 24 mm, rounded **3498972**

Flat face plate 20 mm, edged **3499718**  
Flat face plate 24 mm, edged **3499715**

U-profile faceplate 6 x 24 x 6 mm **3498973**  
U-profile faceplate 10 x 30 x 10 mm **3499717**

Special versions for separable cable transfer with extended faceplate and concealed connector fixing

Flat face plate 20 mm, rounded **3499719\*\***  
Flat face plate 24 mm, rounded **3499720\*\***

\*\* You can find the matching cable transfer with the material numbers **3499574** and **3499584** below.



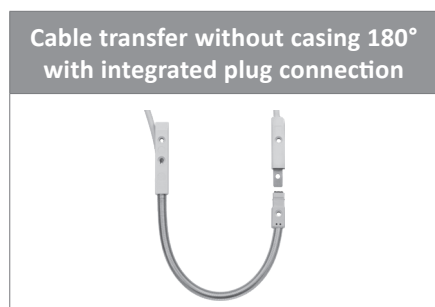
The power supply is designed to be installed on a standard rail nut (35 mm), suitable for GENIUS or A-opener and KfV access control systems.

Casing dimensions (H x W x D)  
approx. 91 mm x 54 mm x 56 mm

Input voltage: 90 to 264 V AC; 50 / 60 Hz  
Output voltage: 24 V DC / 60 W

**3509884**

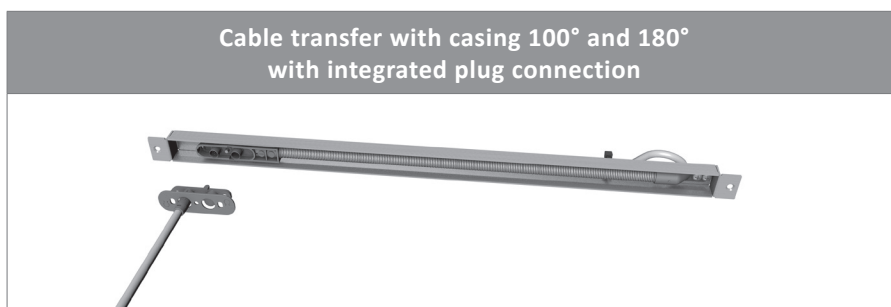
**Step 3: select cable transfer**



Cable transfer for concealed door rebate installation

11 x 220 x 8.5 mm (W x H x D)

Plug connection frame side\*:  
door side: 4 m, frame side: 8 m **3496920**



Cable transfer 100° for concealed door rebate installation.

24 x 302 x 18 mm (W x H x D)

Fitting case frame side:  
door side: 3 m, frame side: 8 m **3484333**  
door side: 4 m, frame side: 8 m **3484334**

Fitting case door side:  
door side: 3 m, frame side: 8 m **3484332**

**Special versions for combination with the frame integrated power supply**

Fitting case door side:  
door side: 3 m, frame side: 0.10 m **3499575**

Cable transfer 180° for concealed door rebate installation.

24 x 480 x 18 mm (W x H x D)

Fitting case frame side:  
door side: 3 m, frame side: 8 m **3475148**  
door side: 4 m, frame side: 8 m **3475149**

Fitting case door side:  
door side: 3 m, frame side: 8 m **3475147**

**Special versions for combination with the frame integrated power supply**

Fitting case door side:  
door side: 3 m, frame side: 0.10 m **3499574**  
door side: 3 m, frame side: 0.75 m **3499584**

## Concealed cable transfer with 24 mm casing 100° and 180°



Cable transfer 100° for concealed door rebate installation. The casing can be mounted in the door frame or the door leaf.

24 x 260 x 18 mm (W x H x D) **3308791**

Cable transfer 180° for concealed door rebate installation. The casing can be mounted in the door frame or the door leaf.

24 x 480 x 18 mm (W x H x D) **3308792**

## Cable type F - sash side



The cable is equipped with a plug connection. It is used to transmit power or signals from the power supply to the GENIUS or A-opener motor. It is combined with a type B cable.

- pre-assembled on the motor side
- numbered
- with plug
- 6-wire
- shielded

Cable length 3 m **3381525**

Cable length 4 m **3381527**

Cable length 5 m **3381529**

## Cable type B - hinge side



The cable is equipped with a plug connection. It is used to transmit power or signals from the power supply to the GENIUS or A-opener motor. It is combined with a type F cable.

- pre-assembled on the power supply side
- numbered
- with bushing
- 6-wire
- shielded

Cable length 4 m **3308723**

Cable length 6 m **3308724**

Cable length 8 m **3308725**

Cable length 12 m **3368937**

## Assembly aid for cable transfers

### Assembly striker plate for cable transfer without casing



For installation in timber and PVC doors with 16 mm hardware groove eurogroove.

16 x 126 x 3 mm (W x H x D) **3508204**

### Assembly striker plate for cable transfer with casing



For installation in PVC doors.

16 x 96 x 3 mm (W x H x D) **3498533**

### Curved parts for cable transfer with casing



Assembly accessories for the installation of concealed cable transfers in timber doors.

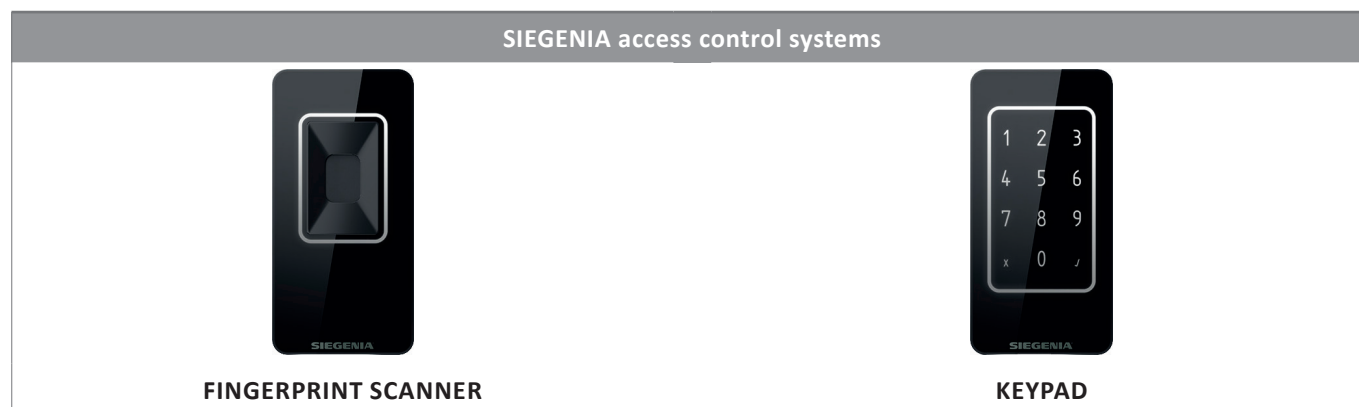
24 x 302 x 18 mm (W x H x D) **3443749**

All details relating to length in metres (m) on this page refer to the cable lengths.

### Step 4: select access control system

More control and comfort due to intelligent, future-oriented doors.

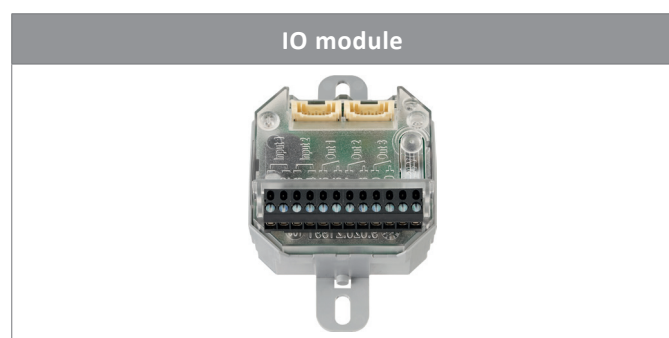
Our digital access control systems combine clever comfort functions with an elegant appearance and the easiest operation. Due to the SI-BUS interface, all three systems can communicate directly with the drive without an additional control unit. This digitalisation keeps all options open for integration in smart living concepts or for future system extensions. Further networking can be accomplished either via the SI BUS or by operation via WIFI. The complete SI BUS is secured with a 128 Bit AES encryption.



- With WIFI and Bluetooth chip as standard
- 128 Bit AES encryption and access log
- Control via the SIEGENIA Comfort app is possible
- Online remote access, timer and user administration
- Administration of up to 200 users or 800 features
- One-time users, interval users
- Colour-adjustable LED lighting for individual tone-to-tone adaptation to the entrance door
- Brightness of the LED lighting both manually and automatically controllable
- Uniform design line
- Sensor type: surface sensor (fingerprint scanner), touch sensor (keypad)
- Door material: timber, PVC or aluminium
- Operating voltage: 9 V DC to 30 V DC

- WIFI: 2.4 GHz / 802.11b/g/n/e/i
- Bluetooth: V4.2 BR/EDR and BLE
- Encryption: AES 128 Bit / WPA2
- Lighting: 6 x RGB LED (multi-coloured)
- Brightness controllable: automatically via light sensor or manually
- SI-BUS interface
- Ambient temperature range in the door: -25° C to +70° C
- Protection class: IP54 front side

- |  |                |
|--|----------------|
| Fingerprint scanner with cover black and cable       | <b>3513136</b> |
| Fingerprint scanner with cover signal grey and cable | <b>3513139</b> |
| Keypad with cover black and cable                    | <b>3513138</b> |
| Keypad with cover signal grey and cable              | <b>3513141</b> |



Extensions of the functions of the motorised multi-point lock by the following connections:

- two SI BUS interfaces for digital, encrypted communication
- two analogue, potential-free inputs
- three analogue, potential-free outputs
- Operation and administration with the SIEGENIA Comfort app is possible: via a connected SIEGENIA access control system

The access control systems can be integrated into third-party systems with the IO module.

Therefore, the access control systems can be combined, for example, with intercom systems, revolving door or garage door drives, E-openers or existing multi-point locks via the IO module.

IO module

**3510886**



- Convenient operation of all SIEGENIA „smart“ devices per WIFI WLAN via smartphone or tablet with numerous additional functions
- Easy coupling for a healthy, automated indoor environment: coupling of „smart“ sensors, ventilators/fans/blowers and window drives is child's play
- Free app solution from iOS 8.0 and Android 5.0
- No need for additional remote control
- Optimal control due to feedback of the device and command status
- Secure SSL encryption
- Development of attractive target groups and targeted customer loyalty

Select accessories

Coupling relays 12 V and 24 V



The 12 V coupling relay is used for retrofitting the E-opener to GENIUS or the A-opener.

12 V AC / DC; top hat rail mounting **3327769**

The 24 V coupling relay is used for feedback of the GENIUS TYPE B to an alarm system or a motorised door drive.

24 V AC / DC; top hat rail mounting **3374274**

Button interior side of the door



The button is used to open the door via the interior side of the door for multi-point locks without the "comfort" option (GENIUS EA / EB).

- Button made from matt stainless steel
- Dowels included
- Snap-in installation

Cable length 0.75 m **3386310**  
Cable length 1.00 m **3413891**

Clock timer



The clock timer is used to changeover modes of operation in the day/night function on the GENIUS TYPE B.

- With gold-plated relay contact (230 V AC)
- Rail nut version
- Display illumination
- 56 memory slots
- 10 year power reserve (lithium battery)
- ON-OFF switching times
- Continuous circuit ON / OFF
- VDE

Casing dimensions (H/ W/ D)  
approx. 90 mm x 36 mm x 69 mm  
input voltage:  
230 to 240 V AC; 50 / 60Hz

**3308731**

Bolt switch contact



The bolt switch contact is used to query whether the hook bolt has been completely locked off.

- Installation in the locking rail or striker plate
- Replaces the Q-adjustment
- The Q-adjustment function is retained
- Protection class in accordance with DIN 40050 VdS environmental class III, IP 67
- Contact type changeover contact
- Switching capacity max. 3 W / VA
- Switching voltage max. 30 V DC
- Switching current max. 0.2 A
- Installation location for external and internal doors
- Switching point adjustable
- Certification VdS class C G 114009
- Several bolt switch contacts can be connected in series

Cable length 6 m **3496082**  
Cable length 10 m **3501530**

Test unit PG03



The test unit is used to check / perform error analysis of the A-opener, GENIUS A and B as well as GENIUS PANIC from version 2.1.

Test unit 115-230 VAC for A-opener, GENIUS A and B as well as GENIUS PANIC **3509874**

To use the test unit, you will require an additional adapter cable that matches the components used:

- adapter for test unit, cable type B, 4 m **3509878**
- adapter for test unit, plug-in cable transfer 100/180 degree, 4 metre **3509879**
- adapter for test unit, cable transfer Mini **3509880**
- adapter for test unit, cable type E, 4 m **3509881**
- adapter for test unit, cable type K, 4 m **3509882**

Components for fire doors



Special versions must be used when GENIUS multi-point locks are installed in fire rated doors. Please contact our sales dept. to define the version required in your special case.

Cable transfer concealed with 20 mm casing 180°



Cable transfer for concealed door rebate installation. The casing can be mounted in the door frame or the door leaf.

20 x 382 x 16 mm (W x H x D) **3458247**

Optional:  
curved parts for cable transfer with casing

20 x 302 x 18 mm (W x H x D) **3458254**

Fire protection cable type OK - FS



The cable is used to transmit power or signals from the power supply or emergency power supply to the GENIUS or A-opener motor.

- pre-assembled on both sides and fitted with wire-end ferrules
- numbered on both sides
- 6-wire
- shielded
- Length: 12 m

**3474871**

Power supply with emergency power supply



The emergency power supply is designed for surface-mounted wall installation, suitable for GENIUS or A-opener and KfV access control system. Mandatory when using GEP GENIUS PANIC multi-point locks in fire rated doors.

Casing dimensions (H x W x D)  
approx. 350 mm x 230 mm x 85 mm

Input voltage: 230 V AC; 50 / 60 Hz  
Output voltage: 24 V DC / max. 2 A

LED status indicators, relay outputs for AC and rechargeable battery errors. **3471104**

To be ordered separately: 2 rechargeable batteries 7Ah / 12 Volt **3470680**

# Enquiry/Order form

Inquiry  Order

Fabricator  Retailer \_\_\_\_\_ Contact partner \_\_\_\_\_

Telephone \_\_\_\_\_ Fax \_\_\_\_\_ E-mail \_\_\_\_\_

## Multi-point locks

Select material number from page 7 - 8 or specify desired variant below.

**Attention:** if you select a PZ dimensions deviating from 92 mm, please request a drawing of the multi-point lock so that you will be able to carry out the millings in the door properly!

Material number: \_\_\_\_\_ or Faceplate \_\_\_\_\_ Backset \_\_\_\_\_ Spindle square \_\_\_\_\_ Size variant \_\_\_\_\_

### PZ dimension:

- 72 mm  
 74 mm  
 92 mm  
 94 mm

### Latch type:

- soft lock bevelled (SL)  
 soft lock 2 mm offset (SA)  
 fire protection latch bevelled (FS)

- GENIUS AS 2600 / AS 2602 type A without comfort function (EA)  
 GENIUS AS 2600 / AS 2602 type A with comfort function (CA)  
 GENIUS AS 2600 / AS 2602 type B without comfort function (EB)  
 GENIUS AS 2600 / AS 2602 type B with comfort function (CB)  
 MFS AS 3500 (only with 92 or 94 mm PZ dimension)  
 MFS AS 3600 (only with 92 or 94 mm PZ dimension)  
 A-opener 2.2

## Step 1: magnet

Not required if an A-opener is used.

- 3381675** Round magnet bush ZEM MB-A1  **3384792** Oval magnet bush ZEM FZ-MB2  **3405940** Self-adhesive magnet ZEM FZ-MB4

## Step 2: power supply

### Frame-integrated power supply

- 3498971** Flat face plate rounded / 20 mm ZEM NT-RA-A0-F-20-A-115-230-41  
 **3498972** Flat face plate rounded / 24 mm ZEM NT-RA-A0-F-24-A-115-230-41  
 **3498973** U-profile faceplate 6 x 24 x 6 mm ZEM NT-RA-A0-P6-24-K-115-230-41  
 **3499715** Flat face plate edged / 24 mm ZEM NT-RA-A0-F-24-K-115-230-41  
 **3499717** U-profile faceplate 10 x 30 x 10 mm ZEM NT-RA-A0-P10-30-K-115-230-41  
 **3499718** Flat face plate edged / 20 mm ZEM NT-RA-A0-F-20-K-115-230-41

- 3499719** Flat face plate rounded / 20 mm ZEM NT-RA-A1-F-20-A-115-230-41  
 **3499720** Flat face plate rounded / 24 mm ZEM NT-RA-A1-F-24-A-115-230-41

**Attention (3499719 and 3499720):** special version FACEPLATE with perforation for cable transfer

### Power supply for to top hat rail mounting

- 3509884** Power supply for top hat rail mounting ZEM NT-HU-C0-60W

## Step 3: cable transfer

### Cable transfer without casing 180°

- 3496920** 4 m / 8 m ZEM KU-MI-VM-TB-SR-180-A0-F0-4M-B0-8M

### Cable transfer with casing 100°

- 3484332** 3 m / 8 m ZEM KU-VM-TB-AT-100-24-A0-F0-3M-B0-8M-VS  
 **3484333** 3 m / 8 m ZEM KU-VM-TB-AR-100-24-A0-F0-3M-B0-8M-VS  
 **3484334** 4 m / 8 m ZEM KU-VM-TB-AR-100-24-A0-F0-4M-B0-8M-VS

### Special versions for combination with the frame integrated power supply

- 3499574** 3 m / 0.10 m ZEM KU-VM-TB-AT-180-24-A0-F0-3M-B0-0.10M-VS  
 **3499584** 3 m / 0.75 m ZEM KU-VM-TB-AT-180-24-A0-F0-3M-B0-0.75M-VS  
 **3499575** 3 m / 0.10 m ZEM KU-VM-TB-AT-100-24-A0-F0-3M-B0-0.10M-VS

- 3308791** Cable transfer with 24 mm casing 100° ZEM KU-VM-100-24-A0-VS

- 3308792** Cable transfer with 24 mm casing 180° ZEM KU-VM-180-24-A0-VS

### Assembly aid for cable transfers

- 3498533** Mounting plate for installation in PVC doors  
 ZEM MH-KU-VM-MP-16-AO  
 **3443749** Rounded parts for installation in timber doors  
 ZEM MH-KU-VM-RT-24-AO  
 **3458254** Rounded parts for installation in timber doors  
 ZEM MH-KU-VM-RT-20-AO  
 3508204 Mounting plate installation in doors with 16 mm hardware groove  
 eurogroove ZEM MH-KU-MI-MP-16-AO

### Cable transfer with casing 180°

- 3475147** 3 m / 8 m ZEM KU-VM-TB-AT-180-24-A0-F0-3M-B0-8M-VS  
 **3475148** 3 m / 8 m ZEM KU-VM-TB-AR-180-24-A0-F0-3M-B0-8M-VS  
 **3475149** 4 m / 8 m ZEM KU-VM-TB-AR-180-24-A0-F0-4M-B0-8M-VS

### Cable type F

- 3381525** 3 m ZEM KA-F0-3.0M  
 **3381527** 4 m ZEM KA-F0-4.0M  
 **3381529** 5 m ZEM KA-F0-5.0M

### Cable type B

- 3308723** 4 m ZEM KA-B0-4.0M  
 **3308724** 6 m ZEM KA-B0-6.0M  
 **3308725** 8 m ZEM KA-B0-8.0M  
 **3368937** 12 m ZEM KA-B0-12.0M

## Step 4: access control system

### Fingerprint scanner

- 3513136** Fingerprint scanner with cover black and cable
- 3513139** Fingerprint scanner with cover signal grey and cable

### Keypad

- 3513138** Keypad with cover black and cable
- 3513141** Keypad with cover signal grey and cable

### IO module:

- 3510886** IO module

## Accessories

### Signal transmitter

- 3327769** Coupling relay 12 V ZEM RE-HU-A0-12V
- 3374274** Coupling relay 24 V ZEM RE-HU-A1-24V
- 3386310** Button cable length 750 mm ZEM FZ-TA-01-750
- 3413891** Button cable length 1000 mm ZEM FZ-TA-01-1000
- 3308731** Clock timer ZEM FZ-ZU-H

### Sensors

- 3496082** Bolt switch contact cable length 6 m ZEM RS-A0-6.0M
- 3501530** Bolt switch contact cable length 10 m ZEM RS-A1-10M

### Test unit and adapter

- 3509874** Test unit 115-230 VAC for A-opener, GENIUS A and B and for GENIUS PANIC ZEM PG-CO-EU
- 3509878** Adapter for test unit cable type B ZEM AD-PG-C-B0-4M
- 3509879** Adapter for test unit cable transfer plug-in 100/180 degree ZEM AD-PG-C-KU-VM-TB-4M
- 3509880** Adapter for test unit cable transfer Mini ZEM AD-PG-C-KU-MI-VM-TB-4M
- 3509881** Adapter for test unit cable type E ZEM AD-PG-C-E0-4M
- 3509882** Adapter for test unit cable type K ZEM AD-PG-C-K0-4M

## Components for fire doors

- 3458247** Cable transfer with 20 mm casing 180° ZEM KU-VM-180-20-A0-VS
- 3474871** Cable type OK - FS ZEM KA-K1-12.0M-FS

### Emergency power supply

- 3471104** Emergency power supply ZEM NT-NS-A0-230V
- 3470680** 12V rechargeable batteries for emergency power supply ZEM K-NS-A0-12V (2 piece are required)





[www.siegenia.com](http://www.siegenia.com)



**SIEGENIA**<sup>®</sup>  
brings spaces to life