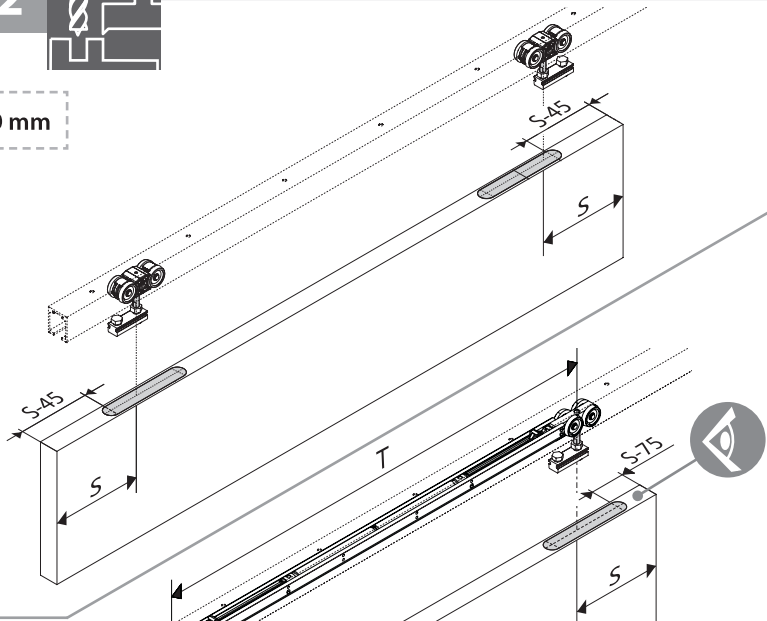


i+ 2

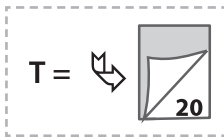
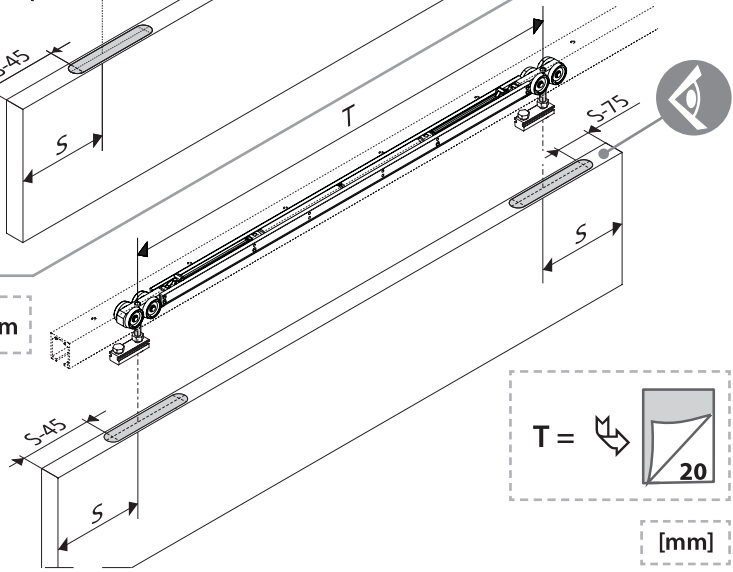
$S \geq 80 \text{ mm}$

I1

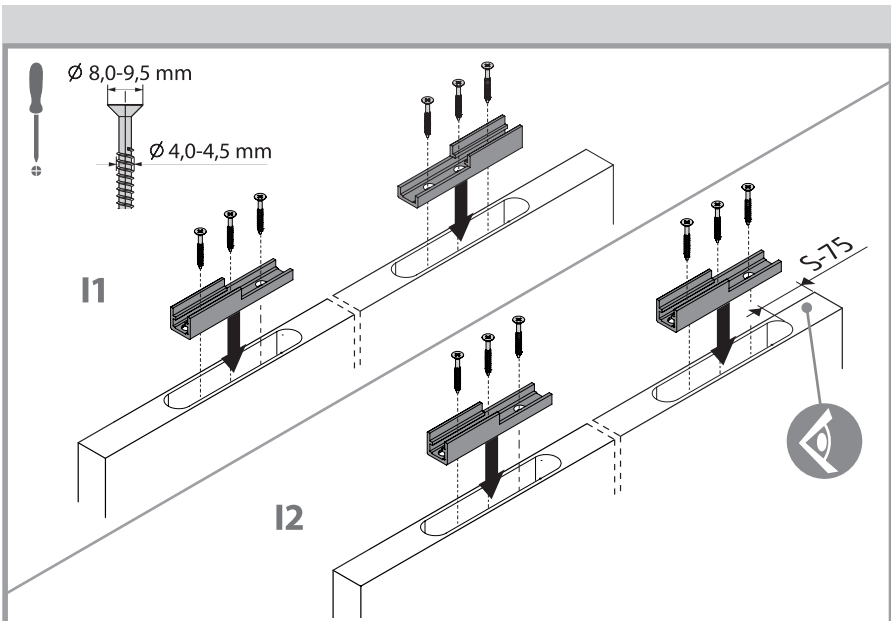


$S \geq 100 \text{ mm}$

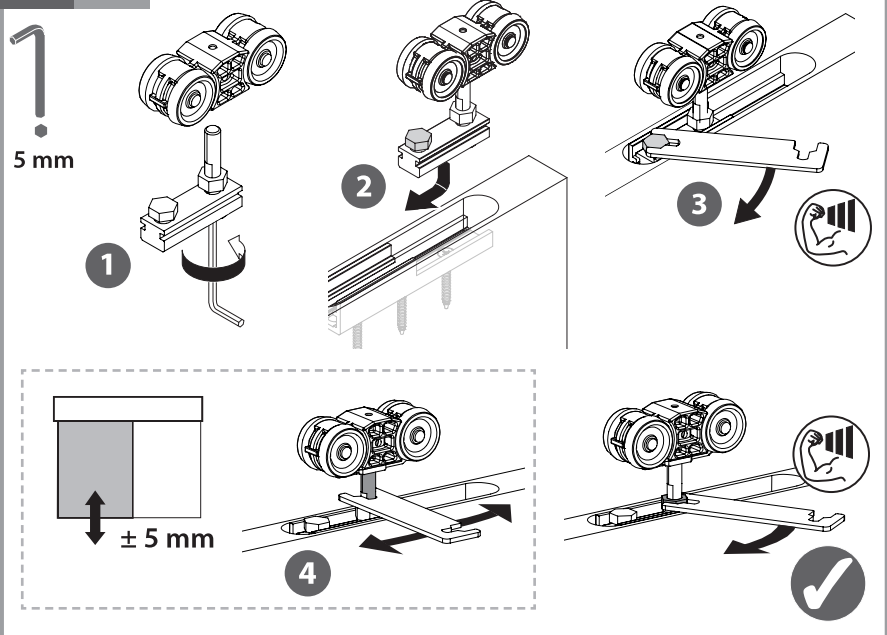
I2

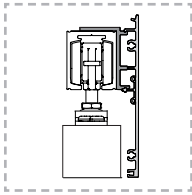
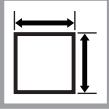
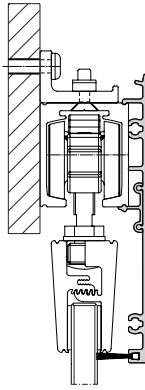
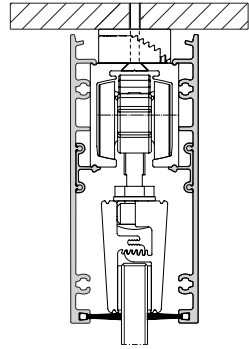
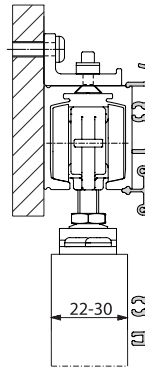
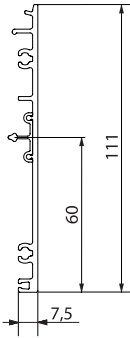
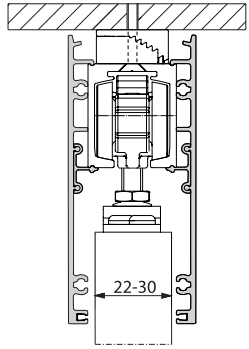


[mm]



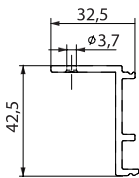
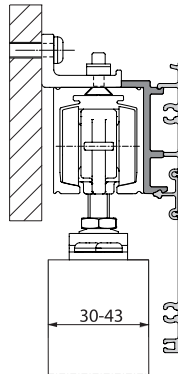
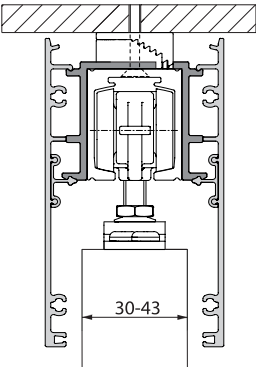
i+ 7



J**J1****J4****J2****J5**

22-30

22-30

**J3****J6**

30-43

30-43

[mm]