

**Hardware system for sliding doors weighing up to 70 kg (154 lbs.).
For curved and straight doors.**

Description

The Hawa Media 70 is a highly successful hardware system with top fixing plate. It is especially suitable for curved doors.

Features of the Hawa Media 70


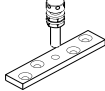


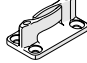
- Plastic-tyred ball bearing wheels
- Vertical adjustment $\pm 5 \text{ mm}$ ($\frac{7}{32}''$)
- Suitable for use with curved doors
- Minimum radius 500 mm ($1'7 \frac{11}{16}''$)

Set for sliding doors, without running track

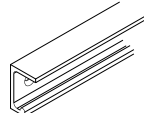
	panel	code
Hawa Media 70	1	11666

For two-panel sliding doors please order two sets for single doors.

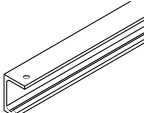
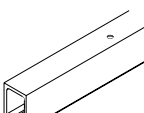
Set comprising

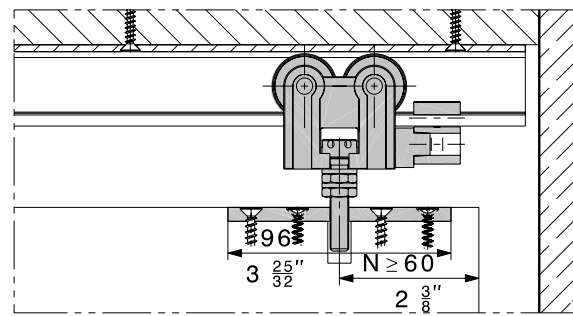
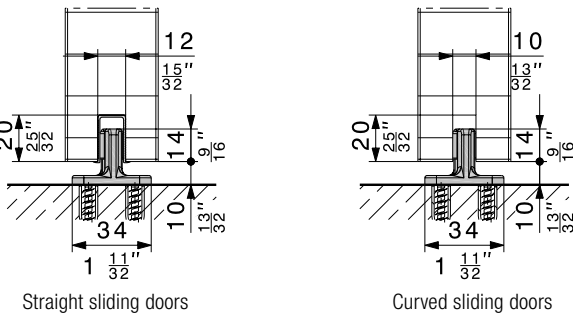
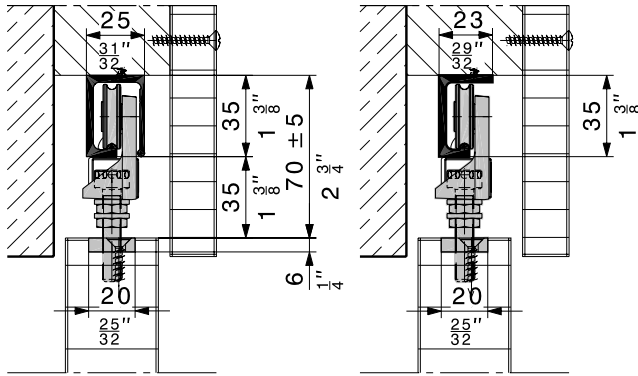
	pieces	code
	2	10370
	2	10430
	1	10588
	1	10584
	1	14427

Running tracks for side fitting

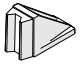
Caution: Hole positions vary	mm/inch	code
	6000 mm (19'8 $\frac{1}{8}''$)	10123
	cut to size	10126

Running tracks for ceiling fitting

Caution: Hole positions vary	mm/inch	code
	2500 mm (8'2 $\frac{2}{8}''$)	12234
	3500 mm (11'5 $\frac{15}{16}''$)	12235
	6100 mm (19'8 $\frac{5}{8}''$)	10127
	cut to size	10130
	2500 mm (8'2 $\frac{2}{8}''$)	12236
	3500 mm (11'5 $\frac{15}{16}''$)	12237
	6000 mm (19'8 $\frac{1}{8}''$)	10144
	cut to size	10146



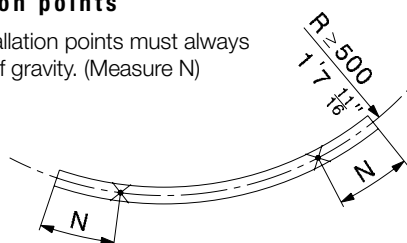
Accessories

Caution: Minor differences in colour are possible		code
	Bottom door stop with centering assembly	dull chromium finish 20773
		stainless steel effect 21473

Further accessories: → pages 42 – 47

Installation points

The trolley installation points must always be in the axis of gravity. (Measure N)



Ordering specifications for curved sliding doors

- Quantity and type of hardware sets
- Sketch of layout
- Axis radius

Ordering specifications for straight sliding doors

- Quantity and type of hardware sets
- Type and length of running tracks

Subject to modification. Metric specifications are exact. Inches are approximate.